

Insulated Miniature 2
Insulated Standard 3
Insulated Standard UL Type, W/Keyed Insulator 4
Insulated Standard With Thumb Nut-Grounded Type 3
Uninsulated With Knurled Thumb Nut-Grounded Type 2

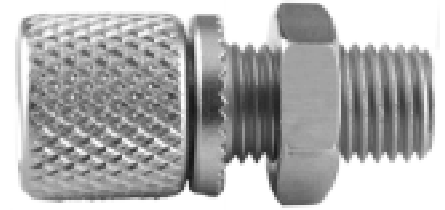
Binding Posts

APPLICATION • Audio circuitry • RF circuitry



INCHES (MILLIMETERS)
CUSTOMER DRAWINGS AVAILABLE UPON REQUEST

Uninsulated With Knurled Thumb Nut-Grounded Type



SPECIFICATIONS

Stud: Brass per QQ-B-626D

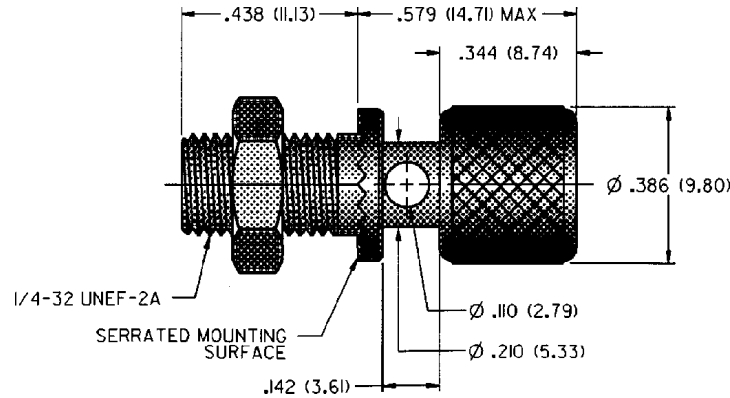
Finish: Nickel

Hardware: Nickel plated nut (unassembled)

Panel Thickness: Up to .281 (7.15)

RATINGS

Current: 15 amps



NICKEL PLATING	
PART NO.	
111-2223-001	

For Standard Banana Plug: .175 (4.44) Across Flats

FEATURES:

- Nickel plated stud with serrated mounting surface prevents turning
- Captive thumb nut .110 (2.79) diameter cross-hole accommodates up to 10 gauge wire

Insulated Miniature

SPECIFICATIONS

Stud: Brass per QQ-B-626D

Finish: Silver

Contact Spring: Beryllium Copper
per QQ-C-533

Insulating Material:

Nylon 6/6 per ASTM D4066

Hardware: Nickel plated nut (unassembled)

Body Thread Stripping Torque:

4.0 lb. in. (4.5 kg cm)

Panel Thickness: Up to .156 (3.95)

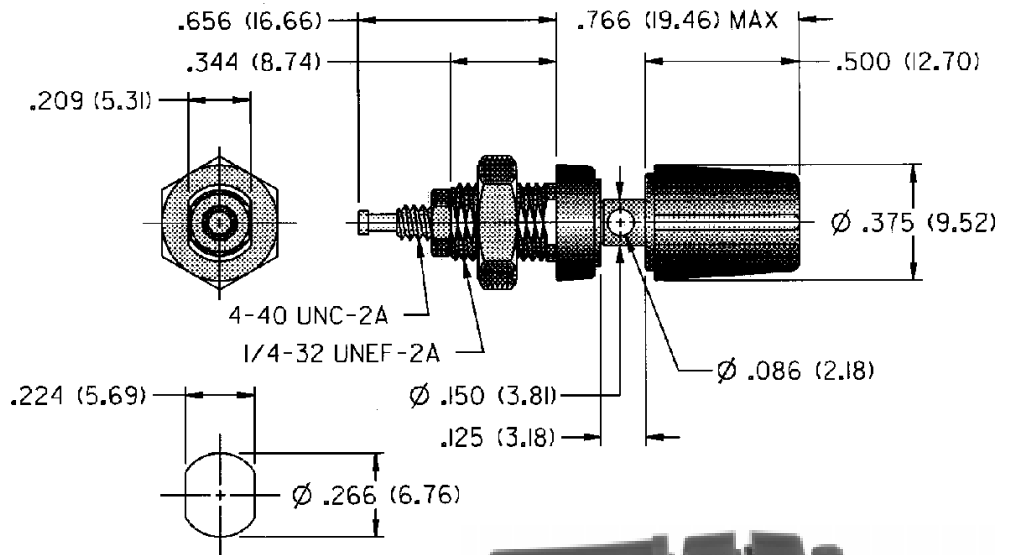
RATINGS

Current: 5 amps

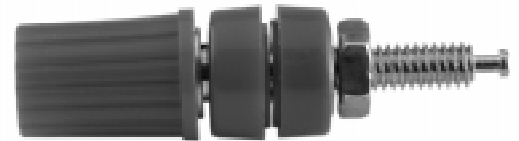
Contact Resistance: 0.010 ohms maximum

Breakdown Voltage: 3500 Vrms minimum†

Stud-to-Panel: 2.0 pF nominal



MOUNTING HOLE LAYOUT



SILVER PLATING			
ACCOMMODATES .080 (2.00) DIAMETER TIP PLUG			
PART NO.	COLOR	PART NO.	COLOR
111-0202-001	Red	111-0203-001	Black

For Standard Tip Plug: .080 (2.00) Diameter

FEATURES:

- Captive thumb nut
- Insulated body is flatted to prevent turning
- Nylon UL approved for self-extinguishing

† Avoid user injury due to misapplication. See safety advisory definitions on page 2.

Insulated Standard

SPECIFICATIONS

Stud: Brass per QQ-B-626D

Finish: Silver

Insulating Material: Nylon 6/6 per
ASTM D4066

Hardware: Nickel plated nut (unassembled)

Body Thread Stripping Torque:
6.0 lb. in. (7.0 kg cm)

Panel Thickness: Up to .281 (7.15)

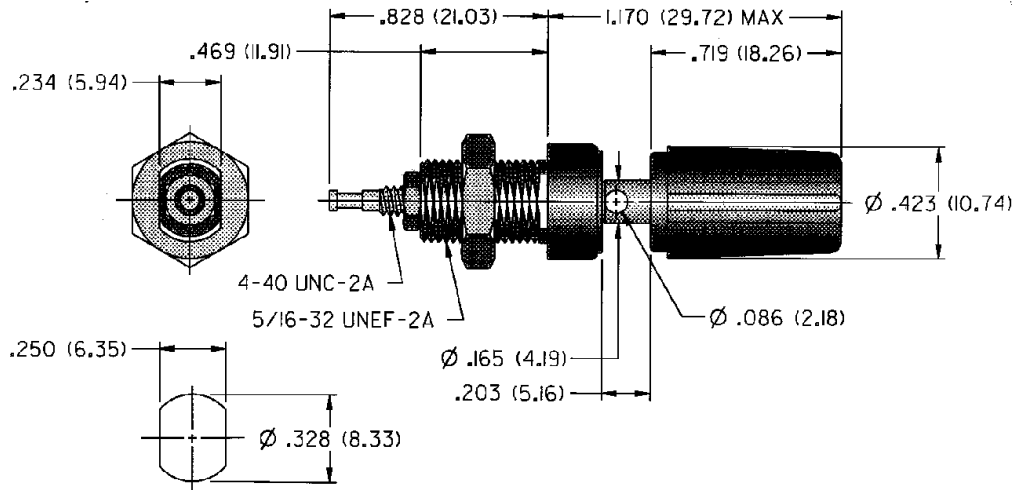
RATINGS

Current: 15 amps

Contact Resistance: 0.010 ohms maximum

Breakdown Voltage: 5700 Vrms minimum †

Stud-to-Panel: 3.3 pF nominal



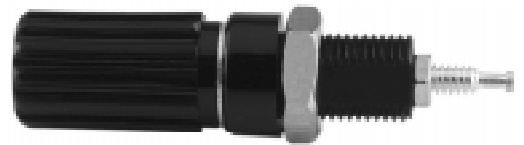
MOUNTING HOLE LAYOUT

SILVER PLATING			
PART NO.	COLOR	PART NO.	COLOR
111-0101-001	White	111-0107-001	Yellow
111-0102-001	Red	111-0108-001	Brown
111-0103-001	Black	111-0110-001	Blue
111-0104-001	Green	111-0112-001	Violet
111-0106-001	Orange	111-0113-001	Gray

For Standard Banana Plug: .175 (4.44)

DIAMETER FEATURES:

- Turret terminal
- Captive thumb nut
- Insulated body is flatted to prevent turning
- Nylon UL approved for self-extinguishing



Insulated Standard With Thumb Nut-Grounded Type

SPECIFICATIONS

Stud: Brass per QQ-B-626D

Finish: Nickel

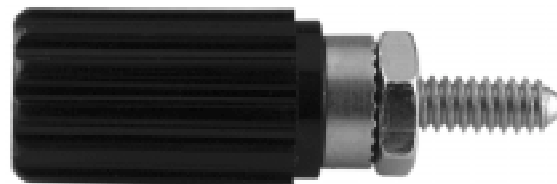
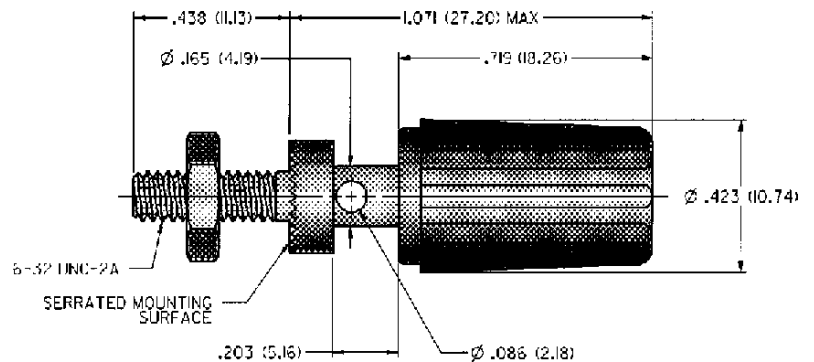
Insulating Material: Nylon 6/6 per ASTM D4066

Hardware: Nickel plated nut (unassembled)

Panel Thickness: Up to .313 (7.95)

RATINGS

Current: 15 amps



NICKEL PLATING			
PART NO.	COLOR	PART NO.	COLOR
111-0701-001	White	111-0704-001	Green
111-0702-001	Red	111-0707-001	Yellow
111-0703-001	Black	111-0710-001	Blue

For Standard Banana Plug: .175 (4.44) Across Flats

FEATURES:

- Serrated mounting surface prevents turning
- Captivated thumb nut
- .094 (2.39) diameter cross-hole accommodates up to 12 gauge wire
- Nylon UL approved for self-extinguishing

† Avoid user injury due to misapplication. See safety advisory definitions on page 2.

Binding Posts

APPLICATION • Audio circuitry • RF circuitry

Insulated Standard UL Type, W/Keyed Insulator

SPECIFICATIONS

Stud: Brass per QQ-B-626D

Finish: Gold or Bright tin

Insulating Material: Nylon 6/6 per ASTM D4066

Hardware: Gold plated nuts or bright tin plated nuts (unassembled)

Panel Thickness: Range from .062 (1.58) to .250 (6.35)

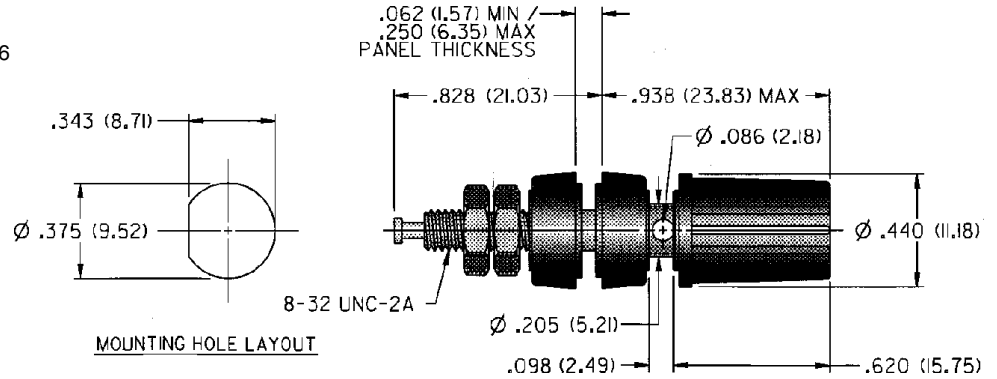
RATINGS

Current: 15 amps

Breakdown Voltage: 1000 Vrms minimum†

Stud-to-Panel: 3.0 pF nominal

Contact Resistance: .010 ohms maximum

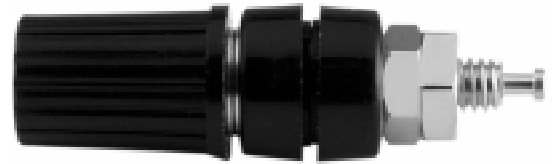


GOLD PLATING			
PART NO.	COLOR	PART NO.	COLOR
111-0742-002	Red	111-0743-002	Black

For Standard Banana Plug: .175 (4.44) Across Flats

FEATURES:

- Keyed insulators prevent turning of installation
- Designed to meet UL-1244, IEC 348.P and 39.5-1974 specifications for distance of thumb to nut opening
- Nylon UL approved for self-extinguishing



† Avoid user injury due to misapplication. See safety advisory definitions on page 2.